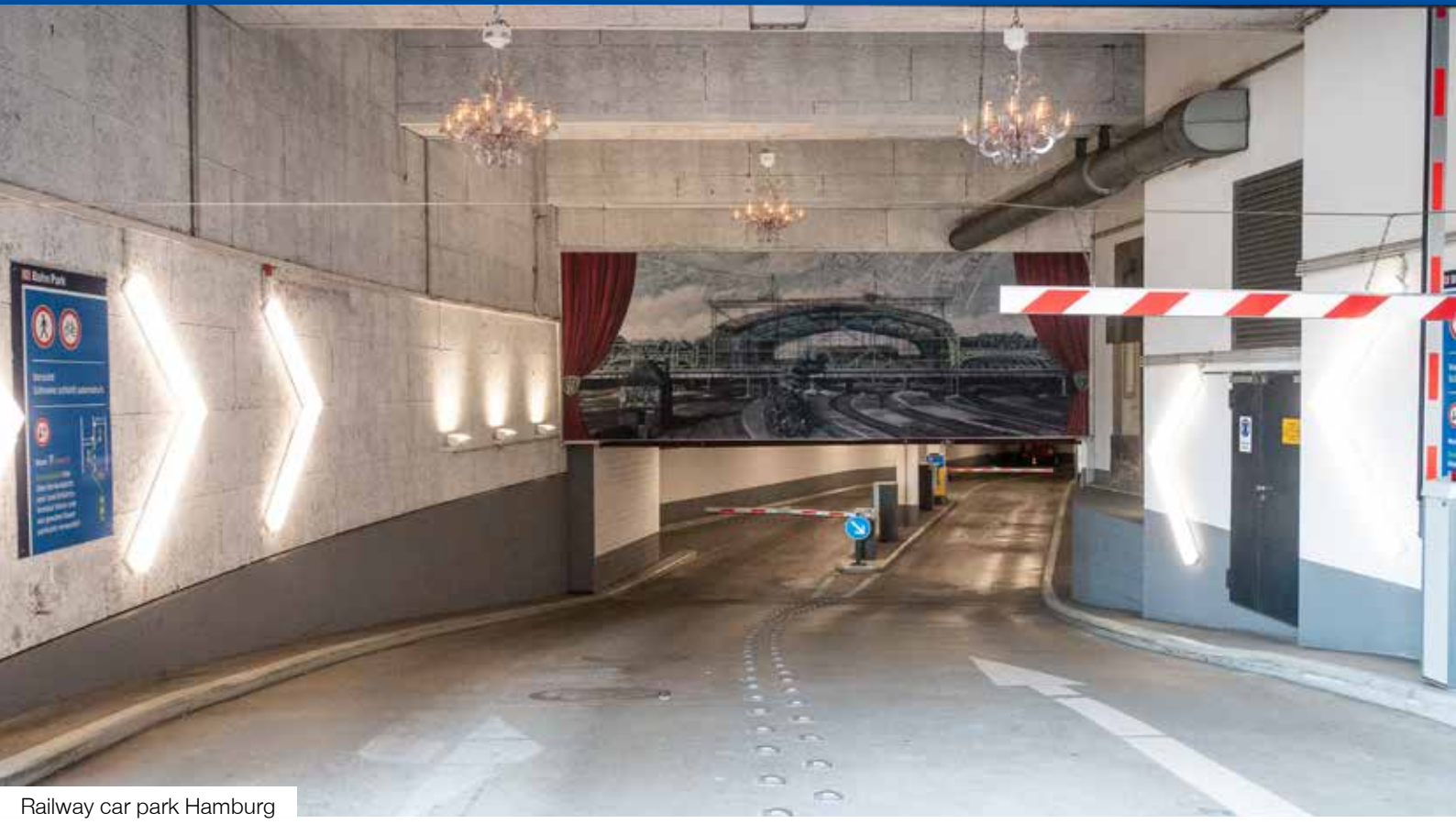


# Lighting-Lifts

2024





Railway car park Hamburg



Hotel reception hall



Monument to the Battle of the Nations Leipzig



Schinke Couture Krefeld

## References

# Content

## Technical information

The correct choice .....	page 4
For public safety .....	page 5
Standard lift .....	page 6
Multicontact lift.....	page 7

## ReelTech Lighting-Lifts

Mini Type Standard .....	(to 5 kg) .....	page 8
Mini Type Multicontact.....	(to 5 kg) .....	page 9
Compact Type Standard.....	(to 15 kg) .....	page 10
Compact Type Multicontact .....	(to 15 kg) .....	page 11
Hook Up Type Standard .....	(to 25 kg) .....	page 12
Hook Up Type Multicontact .....	(to 25 kg) .....	page 13
Heavy Duty Type Standard .....	(to 50 kg) .....	page 14
Heavy Duty Type Multicontact.....	(to 50 kg) .....	page 15
Super Heavy Duty Type .....	(to 1.000 kg) .....	page 16

<b>ReelTech Synchronous-Lifts</b> .....	page 18
---	---------

<b>ReelTech Power Zoom</b> .....	page 19
----------------------------------	---------

## ReelTech CCTV-Lifts

• for CCTV .....	page 20
------------------	---------

## ReelTech Sensor-Lifts

• for universal use .....	page 21
---------------------------	---------

## ReelTech Accessories

Remote Control RCU.....	page 22
Mounting accessories.....	page 23
Surface mounting cover.....	page 24
Recessed mounting cover .....	page 26

<b>Parts and features</b> .....	page 28
---------------------------------	---------

<b>Application examples</b> .....	page 29
-----------------------------------	---------

## The correct choice

**ReelTech Lighting-Lifts** are used to maintain, retrofit or clean luminaires, CCTV cameras, smoke detectors and advertising banners in a safe, simple and economical way.

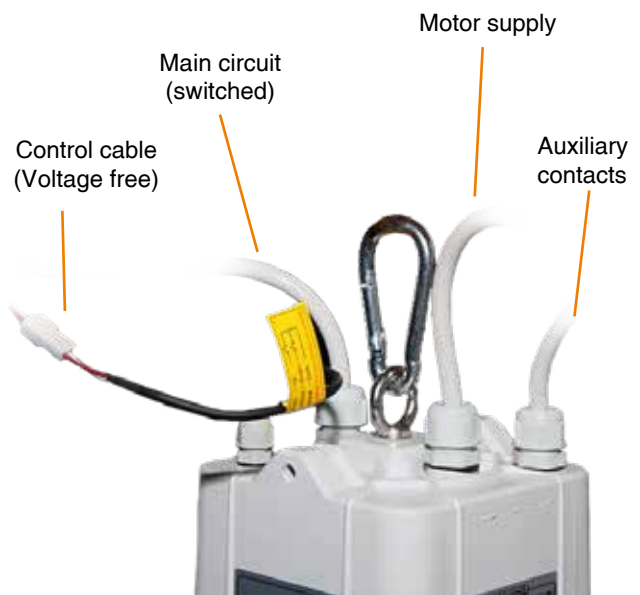
**Weight** is the main criterion when selecting the appropriate lift. The weight of the luminaire plus the weight of any accessories must be taken into account. On the other hand, the minimum load specified on the nameplate must be present to avoid the formation of slack ropes.

**Lowering distance** at the planned installation site is the second important parameter for product selection. It should be noted that the luminaire is not mounted directly under the ceiling in conjunction with a lighting-lift and never needs to be lowered to the ground for maintenance. From the actual ceiling height of a building therefore, 2 – 3 m are usually subtracted.

**Shape and design** of the luminaire determine whether a rotationally symmetrical suspension with just one wire is sufficient. For directional applications, lighting-lifts with a locking system or with double wire guidance are available. (see page 6)

**Additional auxiliary contacts** for DALI, emergency power or other complex tasks require a multicontact-lift. In addition to the main circuit, this version has 4 additional auxiliary contacts available for switching through further signals. (see page 7)

**The separate connection** of motor and lighting circuit of the multicontact-lifts allows the motor connection to be integrated into safety circuits. This also makes it possible to connect extra-low voltages and dimmed supply lines via the main lighting circuit. (see page 7)



**Useful mounting accessories** complete the range. Almost every application can be satisfied by a wide variety of fixing accessories such as mounting brackets, recessed mounting plates and surface covers. (from page 23)

**Wireless control** and operation of the lift and lights can be carried out via the RCU (remote control handset) or manually via the volt free control cable. Each lift has its own integrated radio receiver with its unique address. The RCU can control up to 999 addresses and control each lift individually or in groups. The functions are up / down, stop, light on / off and to adjust the lowering distance.

**For public protection** once the lift begins to lower all electrical connections are isolated and power to the light is switched off. The light will switch on automatically when the lift is in its rest position, signalling that the safety jaws have engaged.



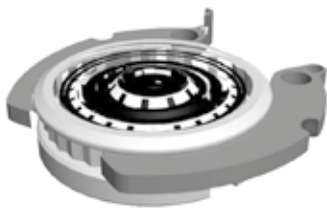
## For public safety

ReelTech Lighting-Lifts are **main-tenance-free** and are not subject to regular inspection. The steel cables only need to be checked after 200 cycles. Quality and product features are tested by TÜV-Austria and certified by TÜV-SÜD.

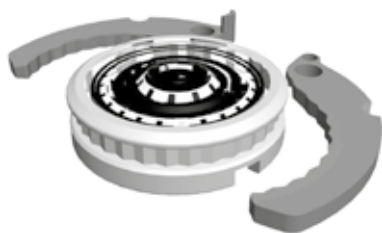


ReelTech Lighting-Lifts comply with the relevant standards and building codes of practice which require two independent fixing points for suspended electrical equipment over 5kg mass in public buildings, stage and theatre.

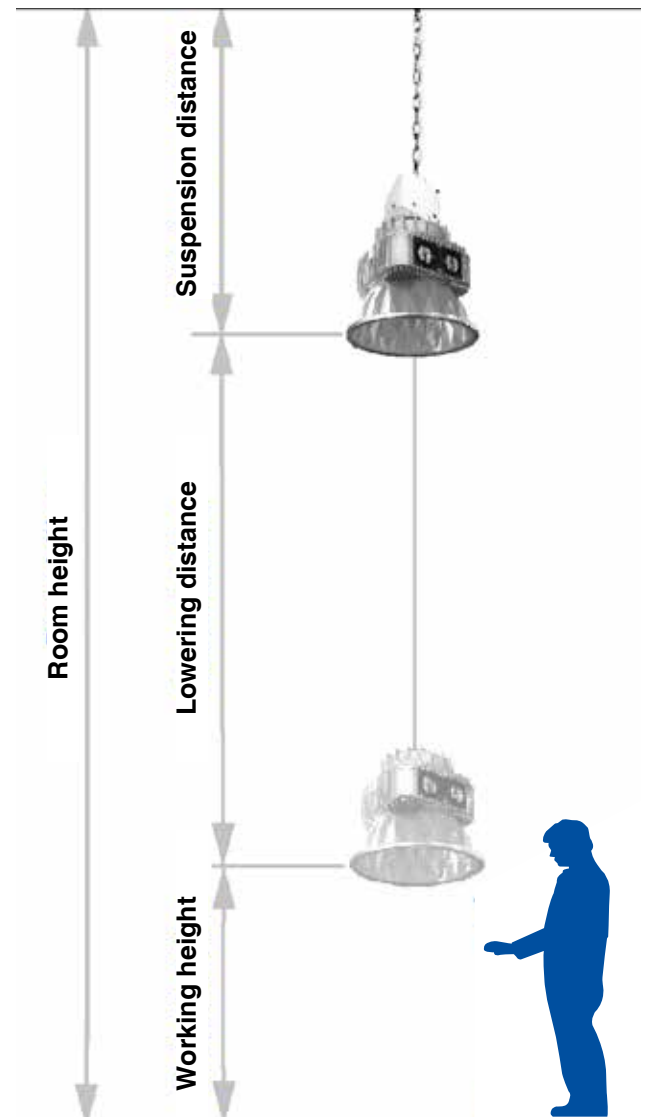
**Safety locking** devices provide additional security when the lift is at rest. Special safety locking jaws engage to take the load off the suspension cables. The jaws remain locked even in the event of power failure and only disengage when the lift is operated.



**During operation** the lowering part first raises approximately 3mm allowing the safety jaws to disengage and the lift to lower. When raising the reverse is true, the lowering part raises beyond 3mm, the safety jaws engage and the lift settles down to its rest position.



The **lowering distance** can be set and programmed to a safe and comfortable level via the RCU. The distance can be adjusted or changed at any time during the life of the lift.




$$\text{Lowering distance} = \text{Room height} - \text{Working height} - \text{Suspension height}$$

**Safety cut-off** protection activates and the lift stops if the suspension cable becomes slack or there is no minimum load on the lift.

**Do not operate the lifts with people standing or passing below. Maintain a minimum 6 metre diameter safety zone at all times when operating a lift.**

# Standard-Lift



Signal control wires, **potential free** for switched operation for lowering and raising  
Black to White = Lower  
Black to Red = Raise

Supply voltage 230 V / 50 Hz, for lift and light

Robust IP54 aluminium housing

Suspension hook or Mounting bracket (recommended)

Integral receiver Wireless handset (RCU) controls up to 999 lifts

Patented 2 pole contacts are safely isolated before lowering

Double locking mechanism; when not in use carry the weight of the light

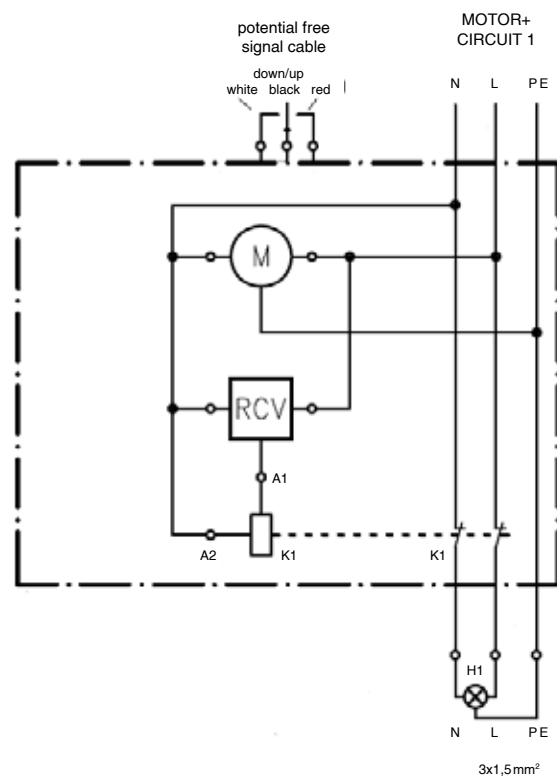
Compact type locking system

Dual stainless steel cables eliminate rotation, ideal for linear luminaires and lowbays etc.

The lowering height is set by RCU no mechanical adjustment on the device is necessary



Single suspension wire lifts are most suitable for highbay and pendant style luminaires and greater lowering distances are possible.



## Multicontact-Lift

Multicontact models are used with DALI, emergency packs or when other additional circuits are required. In addition to the main circuit there are 4 additional auxiliary contacts for other circuits.

Intelligent design and a unique locking mechanism align the contacts after each lowering operation. ReelTech multicontact lifts are therefore also suitable in conjunction with angular or aligned light fittings.

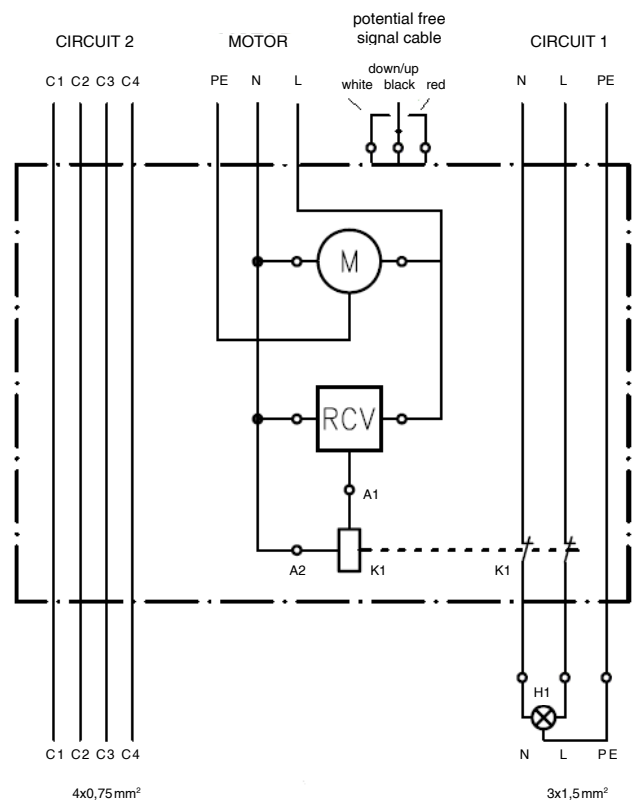
To be able to retract right-angled light fittings such as linear luminaires into suspended ceiling openings, the use of ReelTech luminaire lifts with dual wire guidance is required.



Lift with dual wire guide for linear luminaires

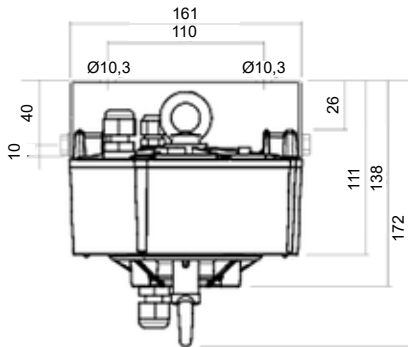
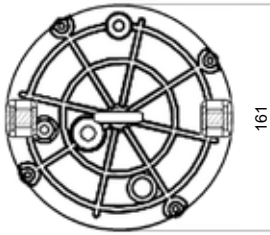


ReelTech multicontact lifts also have separate connections for the motor and lighting circuit. In this way, the power supply for both circuits can be fused separately and / or the motor connection can be integrated into safety circuits. This also enables the connection of low voltages and dimmed supply lines via the main lighting circuit.



## Mini Type Standard

Developed for the use of particularly small or light-weight lights up to 3 kg or 5 kg, the Mini-Lifts are also suitable for use where space is limited.



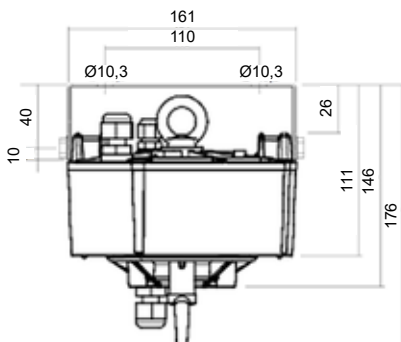
Dimensions:  
MSI-3, MDI-5, MDI- 5 M

Mini Type	MSI-3	MDI-5
Lifting capacity	1-3 kg	1-5 kg
Lowering distance	15 m	7 m
Suspension cable	single	dual
Motor supply and lighting circuit	common	common
Power supply motor	100-277 V AC /50-60Hz; 25W	
Lighting circuit	16A, 230V AC	16A, 230V AC
Auxiliary contacts / capacity	-	-
Protection category / class	IP 54/I	IP 54/I
Temperature range	-15 °C to + 60 °C	-15 °C to + 60 °C
Net weight / with packaging	2,2/2,4 kg	2,2/2,4 kg



## Mini Type Multicontact

If auxiliary contacts are required for DALI, emergency power or other applications, or if the lighting is to be dimmable, mini lifts are available in a multi-contact design with a lifting capacity of up to 5 kg.

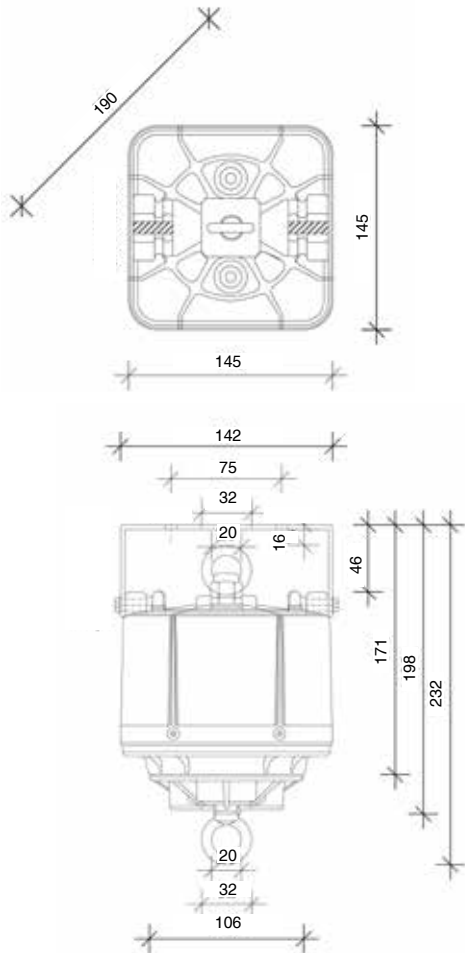


Dimensions:  
MSI-3 M

Mini Type Multicontact	MSI-3 M	MDI-5 M
Lifting capacity	1-3 kg	1-5 kg
Lowering distance	15 m	7 m
Suspension cable	single	dual
Motor supply and lighting circuit	separate	separate
Power supply motor	100-277V AC /50-60Hz; 25W	
Lighting circuit	16A, 230V AC	16A, 230V AC
Auxiliary contacts / capacity	4 / 6A, 230V AC	4 / 6A, 230V AC
Protection category / class	IP 54/I	IP 54/I
Temperature range	-15 °C to + 60 °C	-15 °C to + 60 °C
Net weight / with packaging	2,5/2,7 kg	2,5/2,7 kg

## Compact Type Standard

Compact size and easy installation makes the Compact range the preferred solution for standard applications such as highbays, lowbays, downlights and fluorescents weighing 10kg to 15kg.

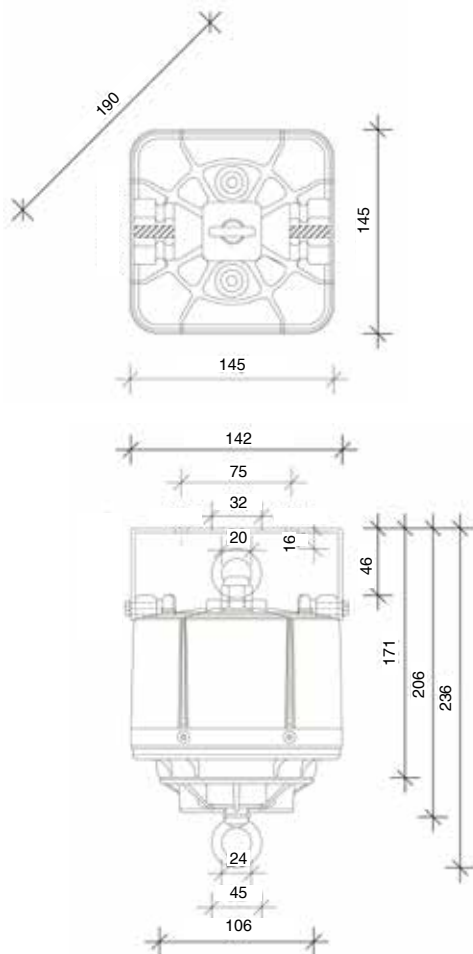


Dimensions:  
CSI-12, CDI-15, CDI-15 M

Compact Type	CSI-12	CDI-15
Lifting capacity	3-10 kg	3-15 kg
Lowering distance	15 m	10 m
Suspension cable	single	dual
Motor supply and lighting circuit	common	common
Power supply motor	100-277V AC /50-60Hz; 30W	
Lighting circuit	16A, 230V AC	16A, 230V AC
Auxiliary contacts / capacity	-	-
Protection category / class	IP 54/I	IP 54/I
Temperature range	-15 °C to + 60 °C	-15 °C to + 60 °C
Net weight / with packaging	3,1/3,4 kg	3,2/3,5 kg

## Compact Type Multicontact

When additional auxiliary contacts are required for DALI, emergency packs or other circuits the Compact multicontact version is ideal. Separate power supplies for the motor, main lamp and auxiliary contacts offer flexibility and dimming facility for loads up to 15kg.

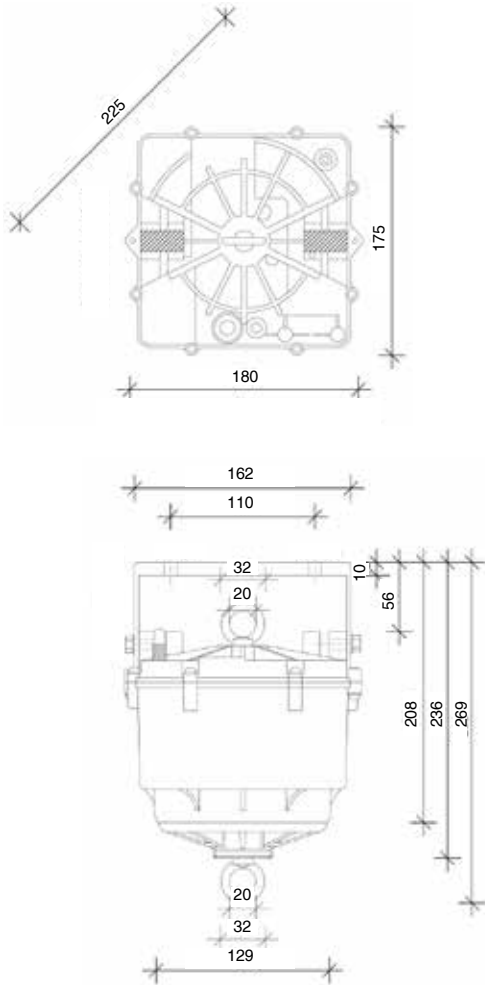


Dimensions:  
CSI-12 M

Compact Type Multicontact	CSI-12 M	CDI-15 M
Lifting capacity	3-7 kg	3-15 kg
Lowering distance	15 m	10 m
Suspension cable	single	dual
Motor supply and lighting circuit	separate	separate
Power supply motor	100-277 V AC / 50-60 Hz; 30 W	
Lighting circuit	16A, 230V AC	16A, 230V AC
Auxiliary contacts / capacity	4/6A, 230V AC	4/6A, 230V AC
Protection category / class	IP 54/I	IP 54/I
Temperature range	-15 °C to + 60 °C	-15 °C to + 60 °C
Net weight / with packaging	3,5/3,9 kg	3,5/3,9 kg

## Hook Up Type Standard

The Hook Up family is an economical solution for loads of up to 25kg, 10m in height. Dual suspension cables provide stability and avoid rotation of the luminaire where directional lighting is required.

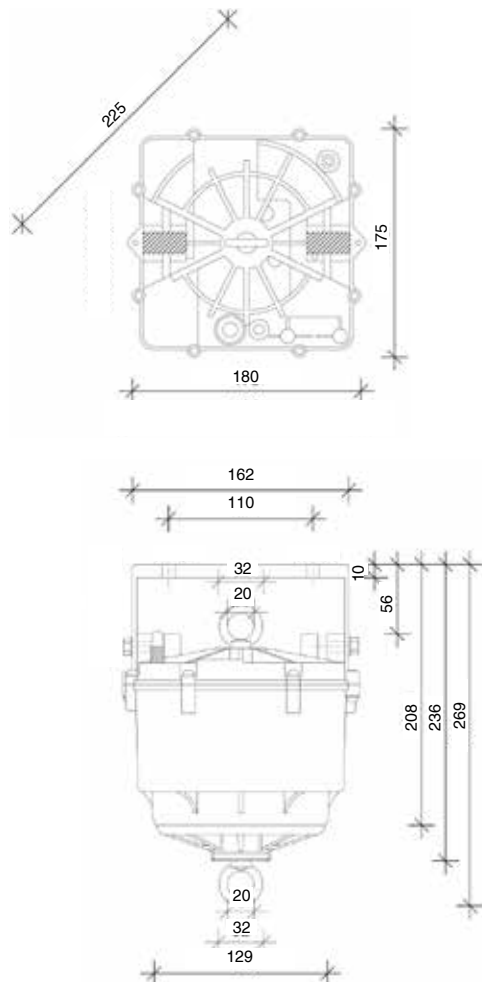


Dimensions:  
HDI-25

Hook Up Type	HDI-25
Lifting capacity	6-25 kg
Lowering distance	10 m
Suspension cable	dual
Motor supply and lighting circuit	common
Power supply motor	230V AC/50Hz; 40W
Lighting circuit	16A, 230V AC
Auxiliary contacts / capacity	-
Protection category / class	IP 54/I
Temperature range	-15 °C to + 60 °C
Net weight / with packaging	6,8/7,4 kg

## Hook Up Type Multicontact

When additional auxiliary contacts are required for DALI, emergency packs or other circuits the Hook Up multicontact version is ideal. Separate power supplies for the motor, main lamp and auxiliary contacts offer flexibility and dimming facility for loads up to 25kg.

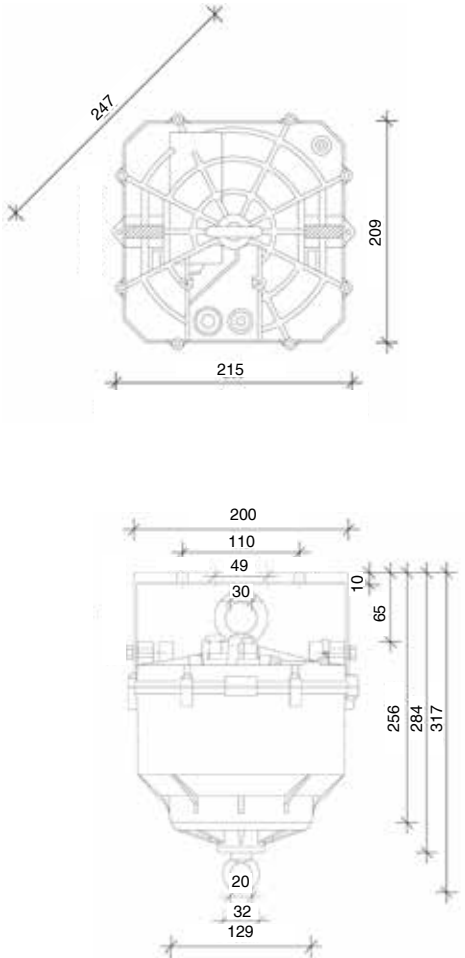


Dimensions:  
HDI-25 M

Hook Up Type Multicontact	HDI-25 M
Lifting capacity	6-25 kg
Lowering distance	10 m
Suspension cable	dual
Motor supply and lighting circuit	separate
Power supply motor	230V AC/50Hz; 40W
Lighting circuit	16A, 230V AC
Auxiliary contacts / capacity	4/6A, 230V AC
Protection category / class	IP 54/I
Temperature range	-15 °C to + 60 °C
Net weight / with packaging	7,0/ 7,6 kg

## Heavy Duty Type Standard

Heavy duty lifts range from 20kg to 50kg with mounting heights ranging from 10m to 20m offering wider flexibility.

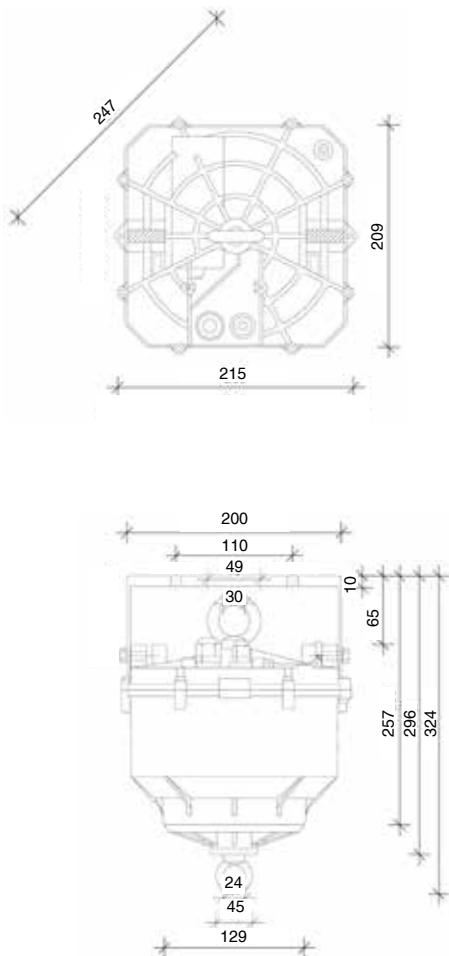


Dimensions:  
PSI-20, PSI-30, PDI-35,  
PDI-50, PDI-35 M, PDI-50 M

Heavy Duty Type	PSI-20	PSI-30	PDI-35	PDI-50
Lifting capacity	4-20 kg	4-30 kg	8-35 kg	8-50 kg
Lowering distance	20 m	15 m	10 m	10 m
Suspension cable	single		dual	
Motor supply and lighting circuit	common		common	
Power supply motor	230V AC/50Hz; 120W			
Lighting circuit	16A, 230V AC		16A, 230V AC	
Auxiliary contacts / capacity	-		-	
Protection category / class	IP 54/I		IP 54/I	
Temperature range	-15 °C to + 60 °C		-15 °C to + 60 °C	
Net weight / with packaging	8,7/9,9 kg		8,7/9,9 kg	9,5/10,7 kg

## Heavy Duty Type Multicontact

When additional auxiliary contacts are required for DALI, emergency packs or other circuits the Heavy Duty multicontact version is available for loads up to 50 kg. Separate power supplies for the motor, main lamp and auxiliary contacts offer flexibility and dimming facility.



Dimensions:  
PSI-20 M, PSI-30 M

Heavy Duty Type Multicontact	PSI-20 M	PSI-30 M	PDI-35 M	PDI-50 M
Lifting capacity	4-20 kg	4-30 kg	8-35 kg	8-50 kg
Lowering distance	20 m	15 m	10 m	10m
Suspension cable	single		dual	
Motor supply and lighting circuit	separate		separate	
Power supply motor	230V AC/50Hz; 120W			
Lighting circuit	16A, 230V AC		16A, 230V AC	
Auxiliary contacts / capacity	4/6A, 230V AC		4/6A, 230V AC	
Protection category / class	IP 54/I		IP 54/I	
Temperature range	-15 °C to + 60 °C		-15 °C to + 60 °C	
Net weight / with packaging	8,7/9,9 kg		8,7/9,9 kg	9,5/10,7 kg

## Super Heavy Duty Type

For loads over 50kg and up to 30m high the Super Heavy Duty series are used. This range is characterized by its quietness and a robust technology. Drive and control procedures are carried out in duplicate using two motors. Dual cable guides result in an extremely precise and reliable rotating 4-fold suspension. The operating speed has been adjusted so that acceleration and applied forces during lifting and lowering are kept extremely low, making it ideal for sensitive loads like chandeliers.



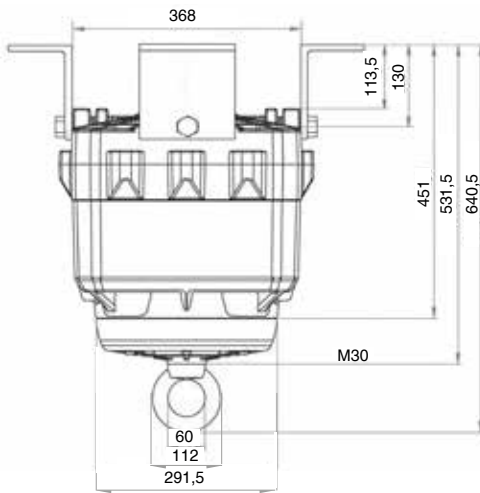
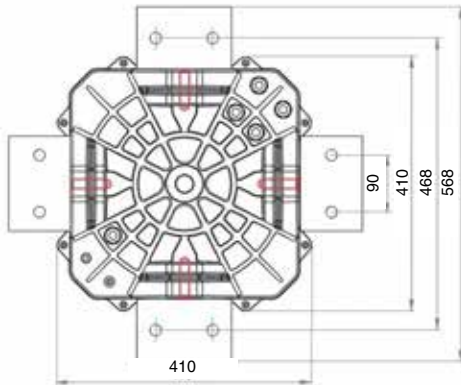
Should lowering distances of more than 30m be required it is possible to connect two lifts in tandem.

Super Heavy Duty Type	PFI-100	PFI-200	PFI-300	PFI-500	PFI-1000
Lifting capacity	50-100 kg	60-200 kg	100-300 kg	100-500 kg	500-1000 kg
Lowering distance	20 m / 30 m	20 m	20 m	15 m	10 m
Suspension cable	2x dual				
Motor supply and lighting circuit	getrennt				
Power supply motor	230V AC/50Hz; 300W		230V AC/50Hz; 400W		
Circuits switched / capacity	2/16A, 230V AC				
Auxiliary contacts / capacity	4/16A, 230V AC				
Protection category / class	IP 54/I				
Temperature range	-15 °C to + 60 °C				
Net weight / with packaging	53/58 kg	53/58 kg	59/64 kg	62/67 kg	75/81 kg



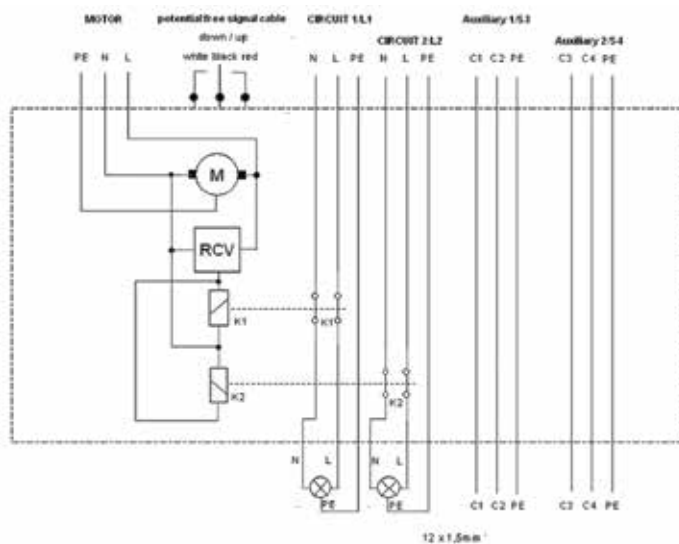
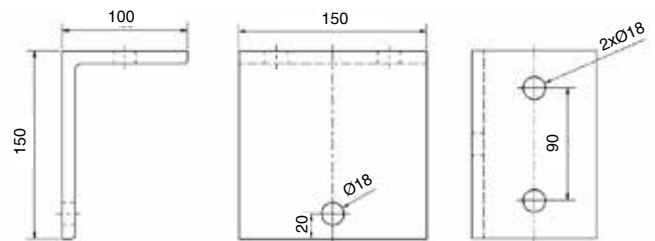
## Technical Information

The Super Heavy Duty series have 2 separate circuits and 4 auxiliary contacts. The motor and lighting circuits have their own supply cables to allow individual circuit protection or integration into existing safety circuits.



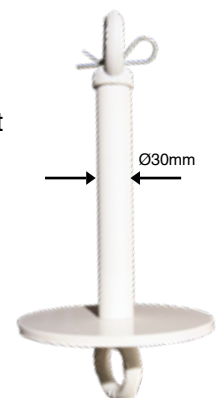
### Mounting kit MB-D

For Super Heavy Duty type, consists of 4 x 150 x 100 x 150 x 10 mm; angle brackets 4 M16 bolts



### WR PFI dummy weight holder

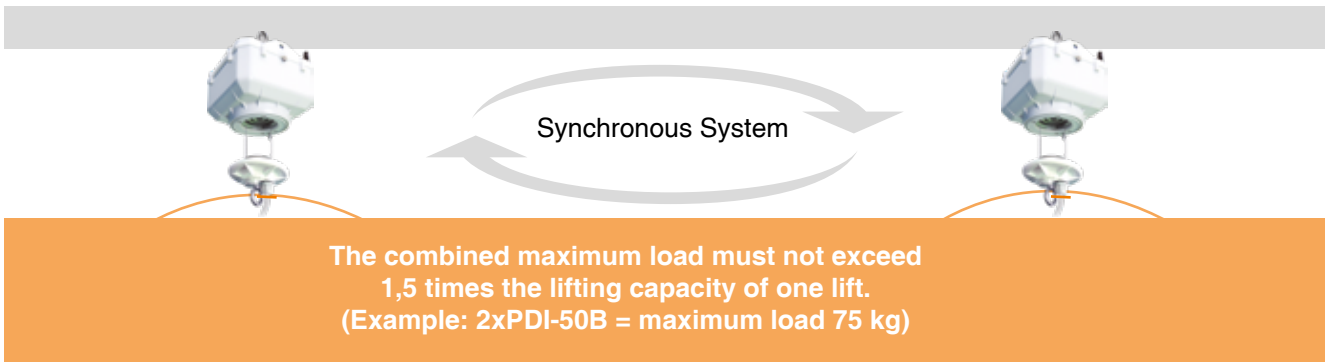
WR PFI holds 5 x 20 kg dumbbell weights. 170mm ø x 340mm height White, RAL 9010. Weights not supplied.



## Synchronous-Lifts

Reel Tech synchronous lifts can be used with lighting rigs, lighting tracks, displays and banners. A wireless remote control system controls two lifts, the master and slave, both are controlled in parallel via the built-in wireless receivers and RCU. Only operate one pair at a time.

If one lift is out of synch with the other automatic level adjustment can be performed by pressing the stop button, the lifts will stop, self-level then continue to descend.



Ensure that the load is evenly distributed and level. The use of a suitable swivel link is recommended to prevent the suspension cables twisting together during lowering and raising.

## Power Zoom-Lifts

Power Zoom lowers sockets or lights from above! This is particularly useful for lowering a power supply to a low level in supermarkets, offices, laboratories, schools or seminar rooms etc. Lights up to 10kg can be lowered to 7m and still function when switched on.



LSI-3



LSI-10L

Power Zoom	LSI-3	LDI-3	LSI-10L
Lifting capacity	1-3 kg	1-3 kg	5-10 kg
Lowering distance	7 m	3 m	2 m
Suspension cable	single	dual	single
Motor supply and lighting circuit	common	common	common
Power supply motor	230V AC/50Hz; 40W		
Lighting circuit	16A, 230V AC		
Protection category / class	IP 20/I		
Temperature range	-15 °C bis + 60 °C		
Net weight / with packaging	6,1 / 8,1 kg	6,8 / 8,8 kg	6,7 / 8,2 kg
Dimensions (LxWxH) in mm	228 x 228 x 301	228 x 228 x 301	140 x 140 x 570

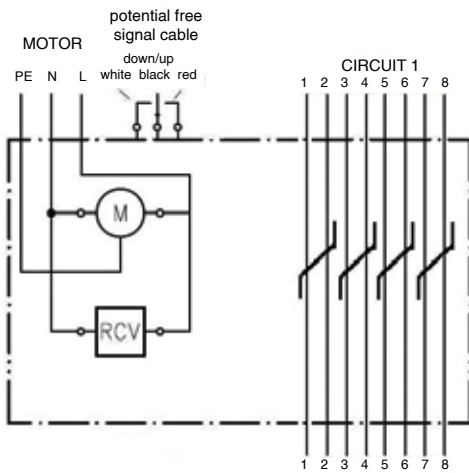
## CCTV Lift for analogue cameras and IP/PoE / CAT7

Ideal for maintaining and cleaning of CCTV and Audio equipment. Secure contact prevents image distortion when used with CCTV systems. Meets the requirements for CAT-7 applications and PoE.

ReelTech products are supplemented by suitable weatherproof housings for outdoor applications. The weatherproof housing is suitable for light lifts of the Mini, Compact and Hook-Up series as well as for sensor and CCTV lifts.



CSI-12M/CAT7 CCTV

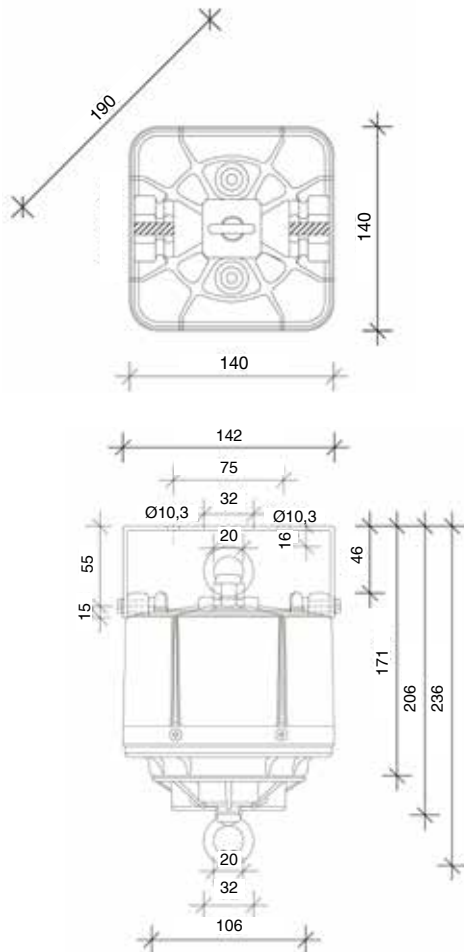


Dimensions Lift: see CSI-12 M (p.11)

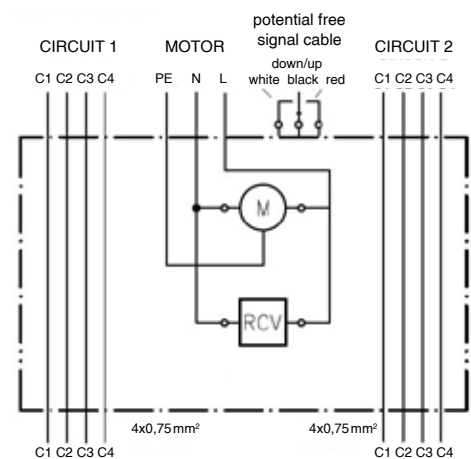
CCTV-Lift	CSI-12M/CAT7 CCTV
Lifting capacity	3-7 kg
Lowering distance	15 m
Suspension cable	single
Motor supply and lighting circuit	getrennt
Power supply motor	100-277 V AC /50-60 Hz; 30W
Lighting circuit	-
Auxiliary contacts / capacity	PoE
Protection category / class	IP 54/I
Temperature range	-15 °C bis + 60 °C
Net weight / with packaging	3,5 / 3,9 kg

## Sensor-Lift for low voltages

For signalling systems, sensors, audio or MSR applications that require more than 2 signal lines with low voltage, the multi-contact lifts with 8-pole through-connection are suitable. Power is supplied via the existing mains voltage, control via the built-in radio receiver.



Dimensions:  
CSI-12 M8c



Sensor-Lift	CSI-12 M8c
Lifting capacity	3-7 kg
Lowering distance	15 m
Suspension cable	single
Power supply motor	100-277V AC /50-60Hz; 30W
Auxiliary contacts / capacity	8/6A, 42V (230V) AC
Protection category / class	IP 54/I
Temperature range	-15 °C bis + 60 °C
Net weight / with packaging	3,5 / 3,9 kg

## Remote Control RCU

The RCU radio remote control enables convenient control of up to 999 ReelTech lighting lifts.

This provides an ideal area for safely monitoring and operating the lifts to the user.

The lift functions are raise / lower; stop; light on/off; setting the lowering height.

Light switching is possible for each luminaire individually, in 99 freely defined groups or in all stored lights with ReelTech lifts (broadcast).

The radio commands are automatically executed and completed in the lift, avoiding operating errors caused by bouncing contacts or actuations that are too short, especially when locking the lifts.

Targeted address assignment via a secure radio protocol eliminates transmission errors.

In conjunction with synchronised lifts, the stop function is also used for automatic level adjustment of both lifts.

The radio remote control operates licence-free in the ISM band of 433.92 MHz. The range is over 100 metres.

The operation is extremely clearly laid out, so that it is quick, easy and convenient to use in practice.



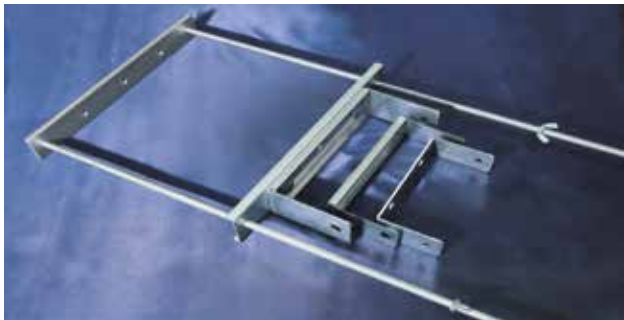
Visual contact with the lift must be maintained at all times when operating the lifts via the RCU or key switch function.

## Mounting accessories

### Mounting brackets MB

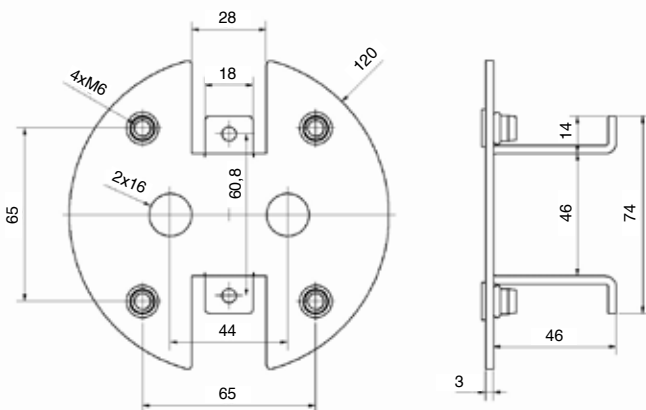
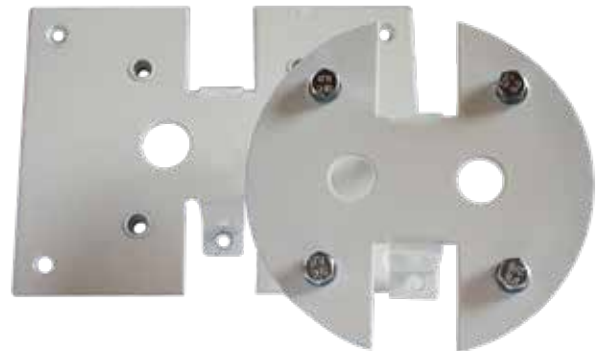
Mounting brackets are used to secure the lift by two fixing points in line with building regulations. They reduce vibration and ensure that the lift remains stable.

Variable mounting brackets (MB-V) allow for quick and easy height adjustment of the lift if installed behind a false ceiling.

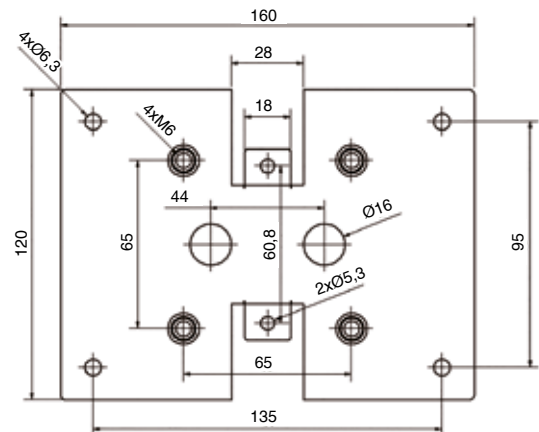


### Mounting plate RMP und RCMP

ReelTech luminaire lifts are supplied as standard with a shackle for fastening or suspending the luminaires. If lighting fixtures or load-bearing structures are to be attached directly to the lowering part round and right-angled mounting plates are available for lifting weights of up to 50 kg. Colour white, RAL-9010.



Dimensions: RMP-M



Dimensions: RCMP-M

## Surface cover AH

Designed to conceal the lift, mounting bracket and wiring.

The cover attaches to the lower section of the lift so it can be lowered to ground level with the luminaire for cleaning and maintenance

A 20mm gap between the top of the cover and the ceiling allows heat to dissipate.

Standard colour: White RAL 9010, other colours are available on request.

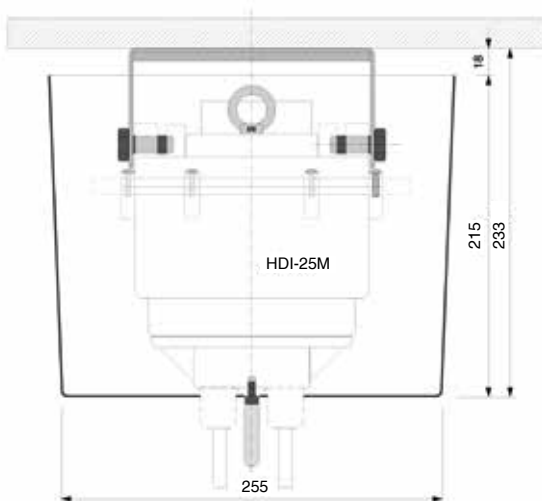
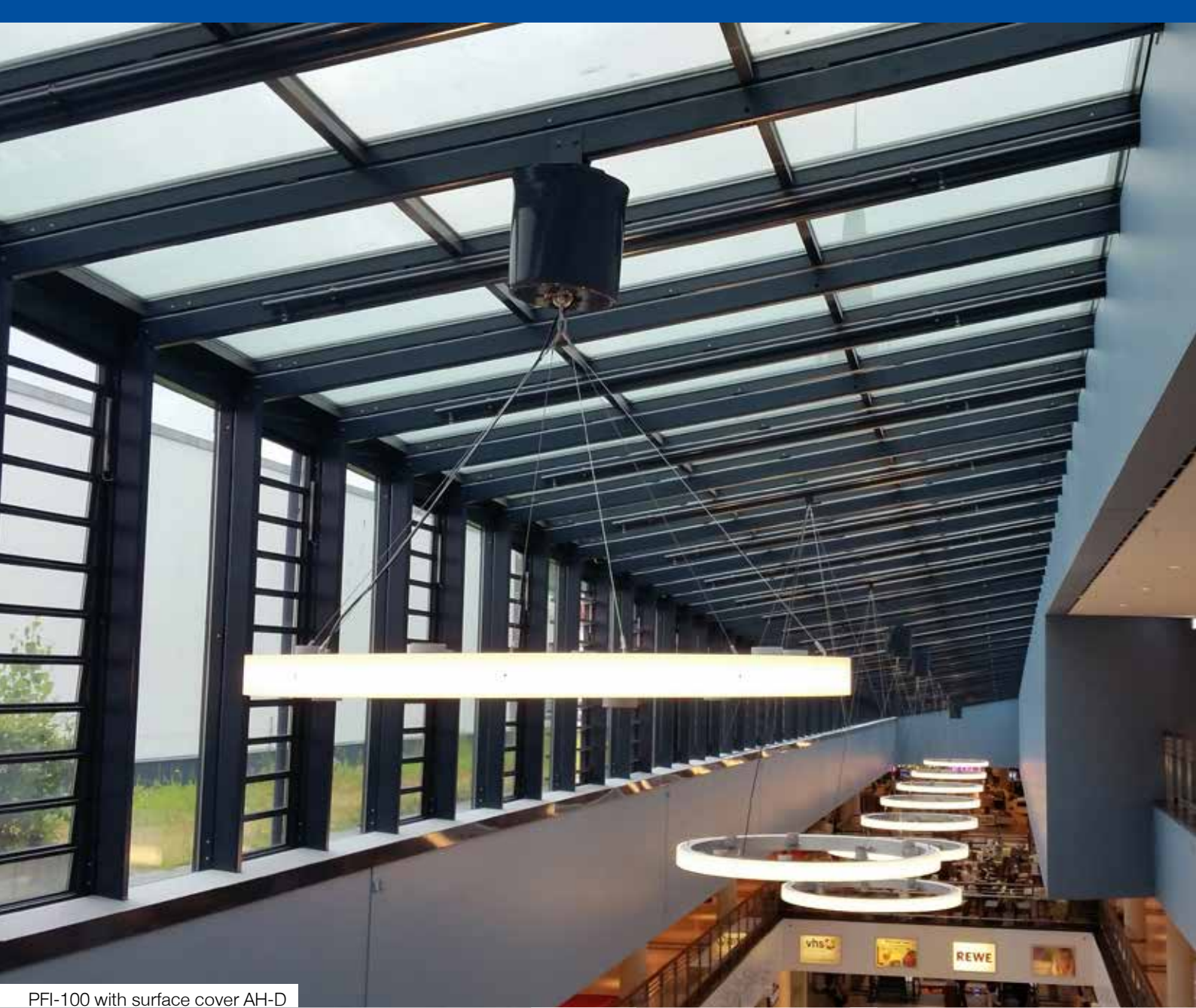


Illustration AH-B



Description	Diameter	Height	Suitable for Model	Catalogue page
AH-M	196 / 190 mm	128 mm	Mini	8 and 9
AH-A	203 / 200 mm	186 mm	Compact	10 and 11
AH-B	272 / 255 mm	215 mm	Hook Up	12 and 13
AH-C	275 / 255 mm	250 mm	Heavy Duty	14 and 15
AH-D	505 / 490 mm	524 mm	Super Heavy Duty	16 and 17





PFI-100 with surface cover AH-D



PSI-20 with surface cover AH-C at a height of 20m



Close-up PSI-20 with AH-C

Application  
examples

## Recessed mounting plate RA

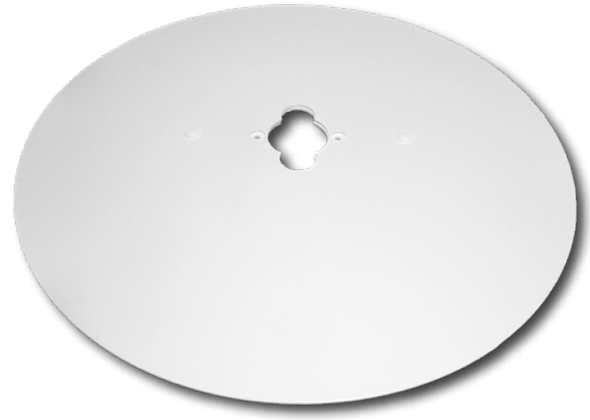
If a lift is installed behind a suspended the recessed ceiling cover can be used to conceal the hole cut-out, lift and wiring.

It is fitted with four springs which can be adjusted to ensure that the plate fits snug to the ceiling while allowing the lifts locking mechanism to function correctly.

Recessed mounting plate RA-MES up to 50kg, plate for mounting to eyebolt, 400mm Ø x 5mm, White, RAL 9010.

Recessed mounting plate RA-MSS up to 50kg, mounting pattern 65 x 65 mm, 400mm Ø x 54mm, White, RAL 9010.

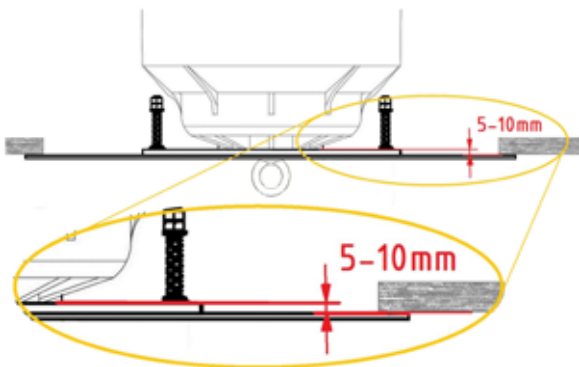
Recessed mounting plate RA-D for Super Heavy Duty Lifts, plate for mounting to eyebolt, 500mm Ø x 55mm, White, RAL 9010.



RA-MES



RA-MSS



To allow the cover to operate correctly the distance between the underside of the ceiling and the lift coupler must be set correctly. Precise adjustment can be made by using the MB-V variable mounting bracket.



LSI-10L with recessed mounting plate RA-MSS



LSI-10C with socket connection



Lift in lowered state



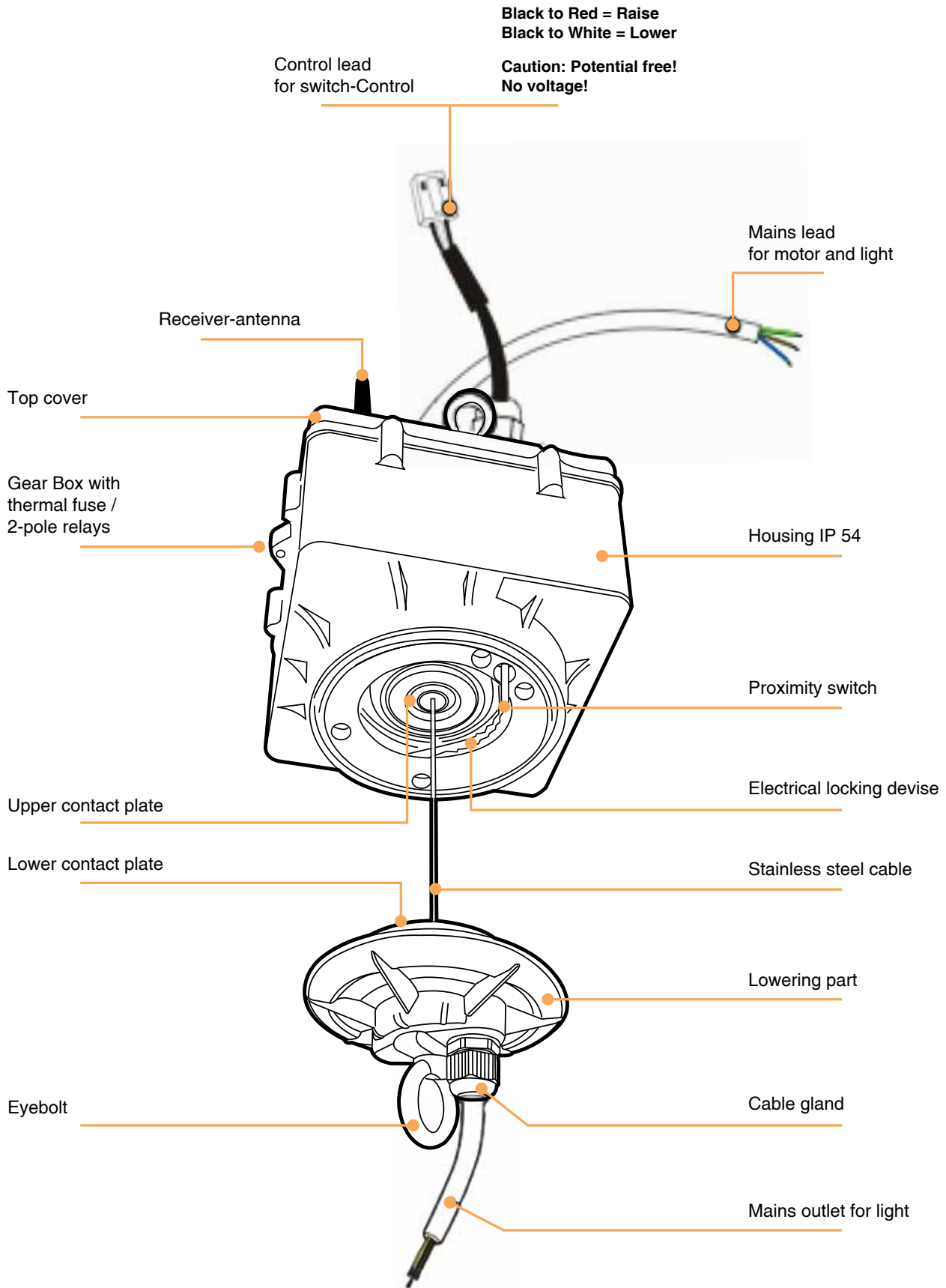
Lift in retracted / resting state

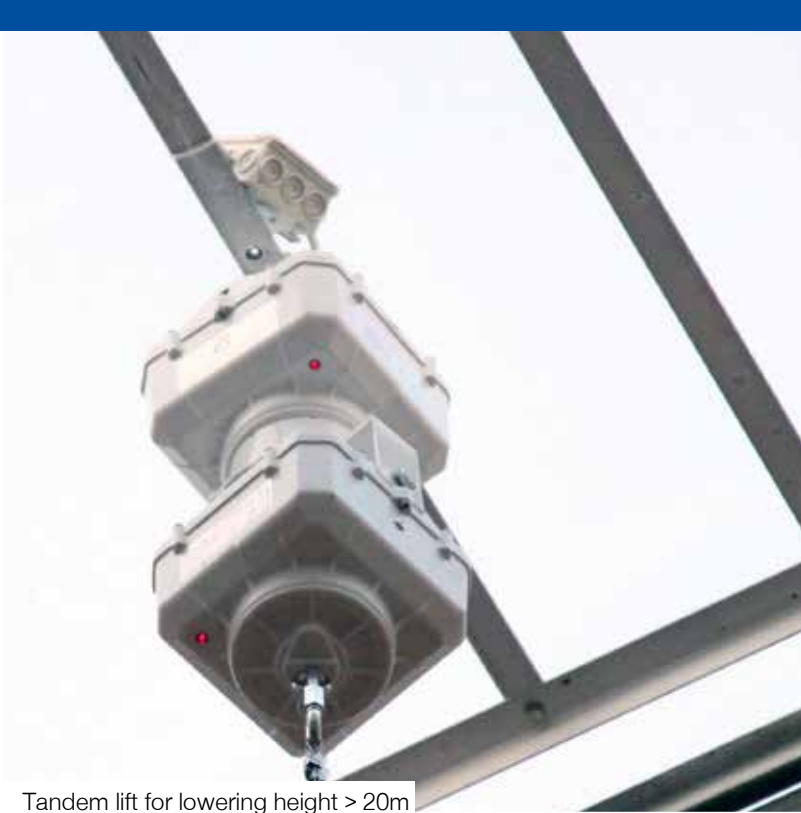


3x PDI-50 with recessed mounting plate RA-MES

Application examples

# Overview Standard Lift





Tandem lift for lowering height > 20m



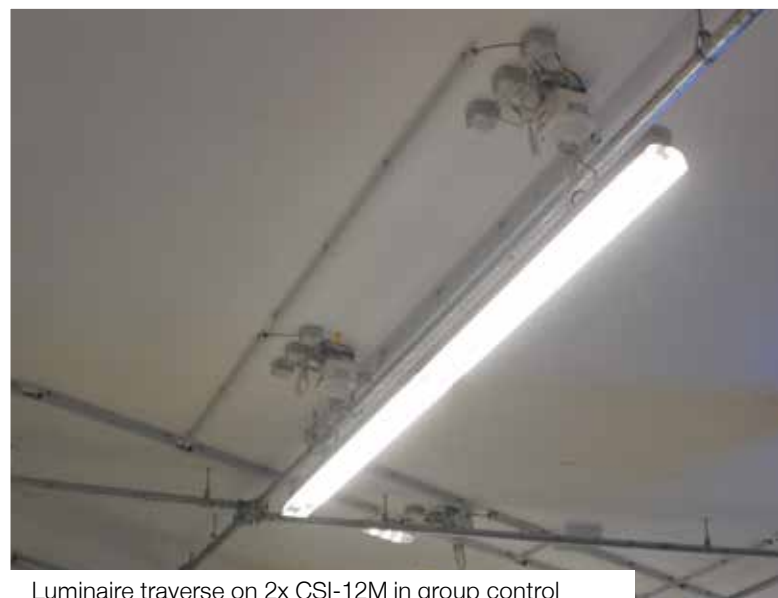
PFI-200 with WR-PFI



Lowerable ceiling construction with 3x PDI-50 in group control



Lift, RAL 9010 at a height of 25m



Luminaire traverse on 2x CSI-12M in group control

# Examples



**ReelTech Vertriebs GmbH**

Berliner Straße 8

61137 Schöneck

Germany

Telefon +49 (0) 6187 / 9318 901

Fax +49 (0) 6187 / 9318 907

Email [office@reeltech.de](mailto:office@reeltech.de)

[www.reeltech.de](http://www.reeltech.de)

© Copyright by ReelTech Vertriebs GmbH

As of: January 2024

Subject to technical changes



**REEL TECH**

Lighting - Lifts